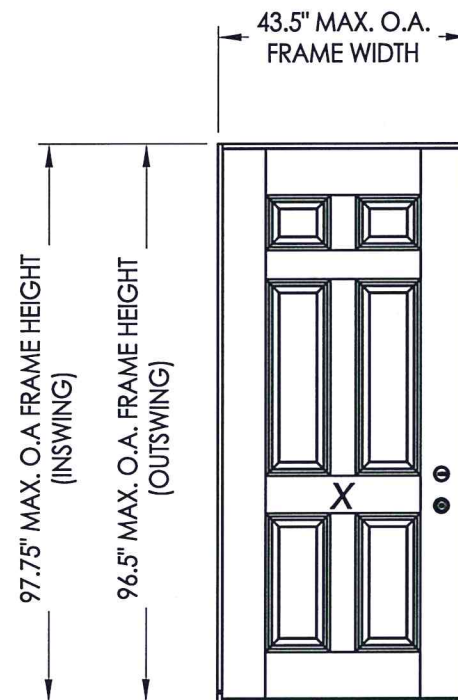


OPAQUE FIBERGLASS SINGLE DOOR INSWING / OUTSWING "IMPACT"

GENERAL NOTES

- This product has been evaluated and is in compliance with the 7th Edition (2020) Florida Building Code (FBC) structural requirements excluding the "High Velocity Hurricane Zone" (HVHZ).
- Product anchors shall be as listed and spaced as shown on details. Anchor embedment to base material shall be beyond wall dressing or stucco.
- When used in areas requiring wind borne debris protection, this product complies with FBC Sections 1609.1.2 & R301.2.1.2 and does not require an impact resistant covering. This product meets missile level "D" and includes Wind Zone 4 as defined in ASTM E 1996 and FBC Sections 1609.1.2.2 & R301.2.1.2.1.
- For 2x stud framing construction, anchoring of these units shall be the same as that shown for 2x buck masonry construction.
- Site conditions that deviate from the details of this drawing require further engineering analysis by a licensed engineer or registered architect.

TABLE OF CONTENTS	
SHEET#	DESCRIPTION
1	Typical elevations, design pressures & general notes
2	Door panel details
3	Horizontal & vertical cross sections (2X buck)
4	Horizontal & vertical cross sections (1X buck)
5	Horizontal & vertical cross sections (Direct to Masonry)
6	Vertical cross sections
7	Buck & frame anchoring
8	Components
9	Bill of materials



CONFIGURATION	DESIGN PRESSURE (PSF) INSWING		DESIGN PRESSURE (PSF) OUTSWING	
	POSITIVE	NEGATIVE	POSITIVE	NEGATIVE
X	+65.0	-70.0	+65.0	-65.0

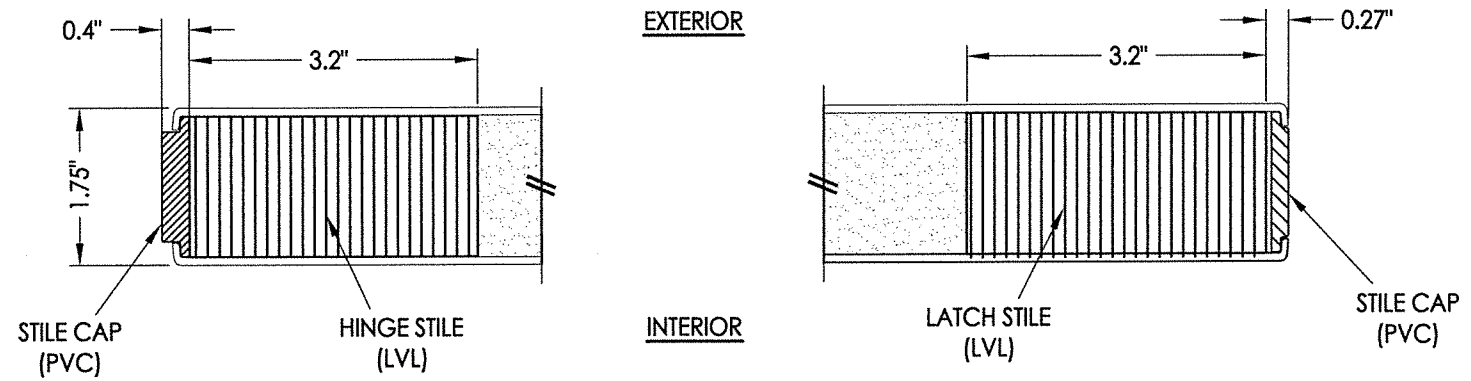


August 16, 2021
Documents Prepared By:
Lyndon F. Schmidt
P.E. No. 43409
RW BUILDING CONSULTANTS, INC.
P.O. Box 230, Valrico, FL 33595
Phone No.: 813.659.9197
FBPE Registry No. 9813

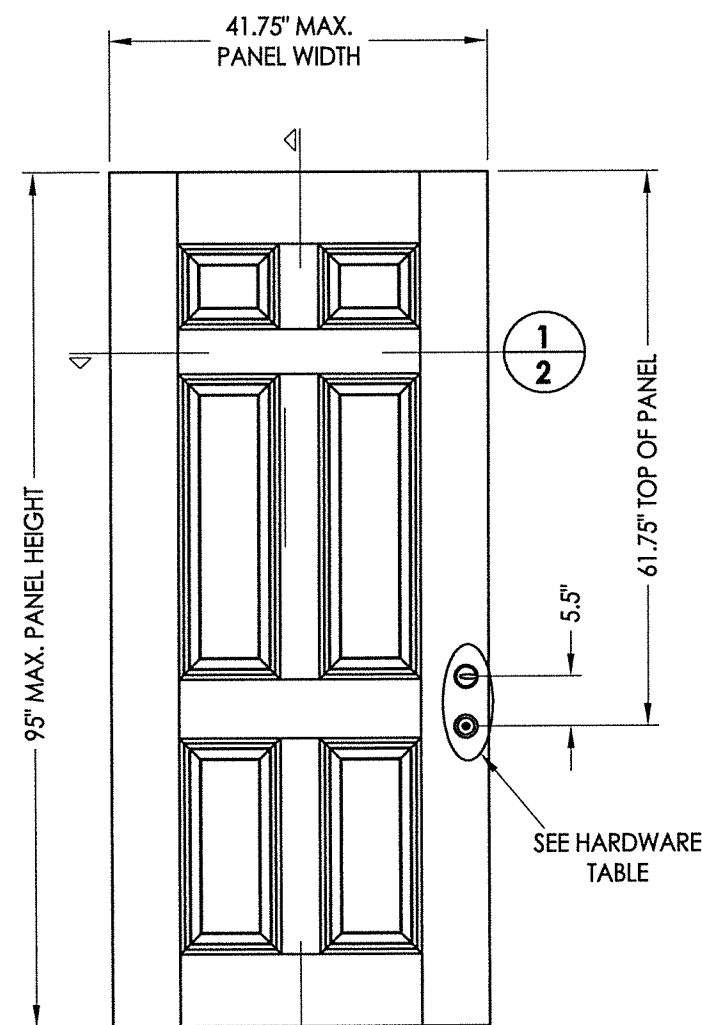
PRODUCT: TRINITY GLASS INT'L
PART OR ASSEMBLY: TYPICAL ELEVATION, DESIGN PRESSURES & GENERAL NOTES

REVISIONS		
NO.	DATE	BY

DATE: 8/13/21
SCALE: N.T.S.
DWG. BY: RW
CHK. BY: LFS
DRAWING NO.: FL-25575.19
SHEET 1 OF 9



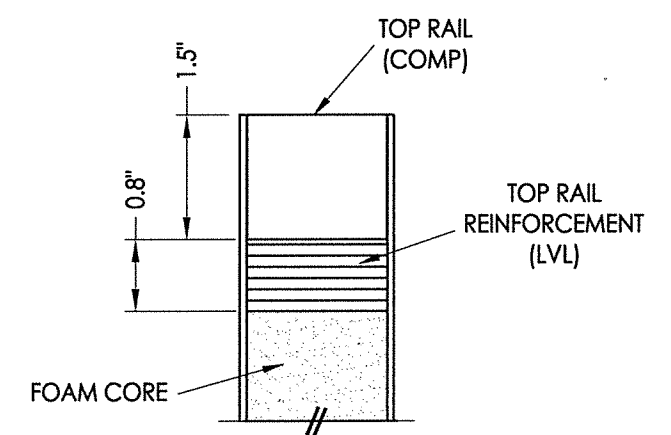
1
2 **HORIZONTAL CROSS SECTION**



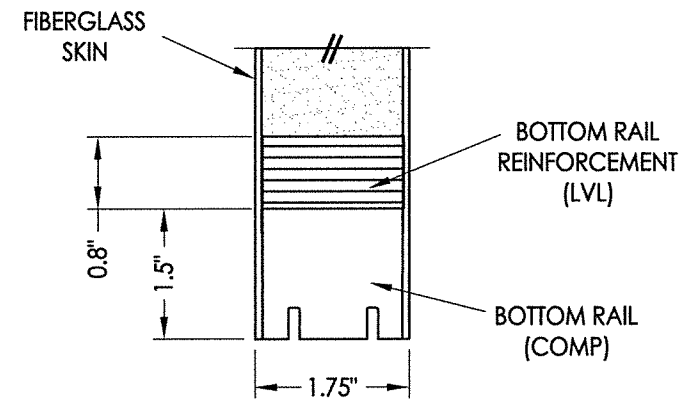
2
2
40 OPAQUE DOOR PANEL
Fiberglass

DOOR SKIN: 0.070" MIN. THK. FIBERGLASS
CORE MATERIAL: POLYURETHANE FOAM

HARDWARE CHART	
MANUFACTURER	MODEL
KWIKSET	KNOB: SIGNATURE SERIES
	DEADBOLT: SIGNATURE SERIES (980)
SCHLAGE	KNOB: F SERIES
	DEADBOLT: B60 SERIES



EXTERIOR INTERIOR

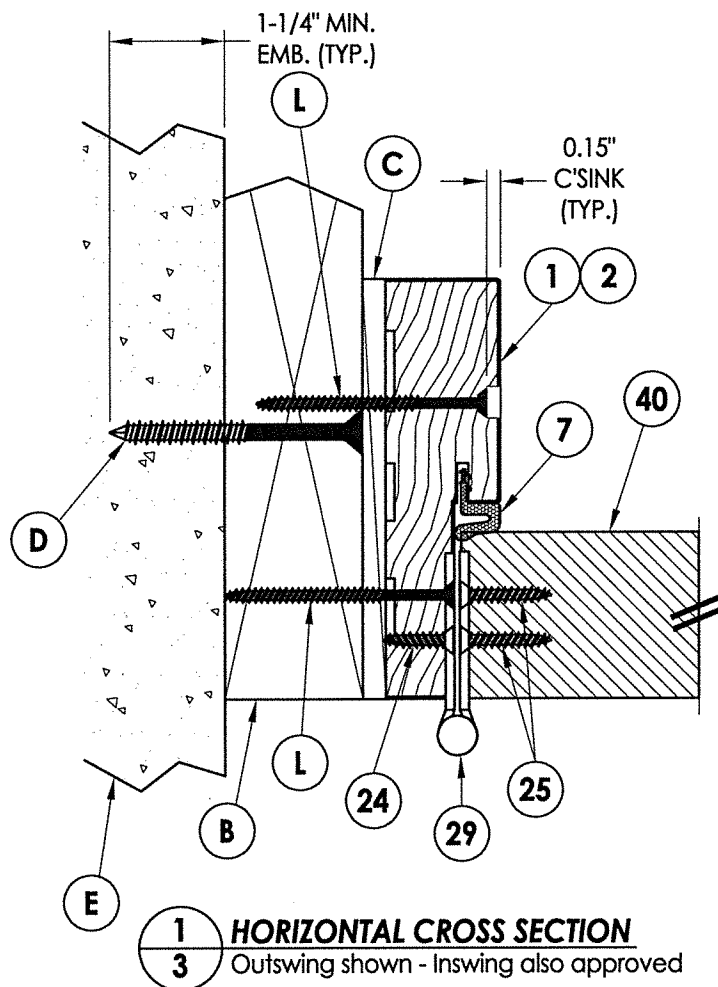
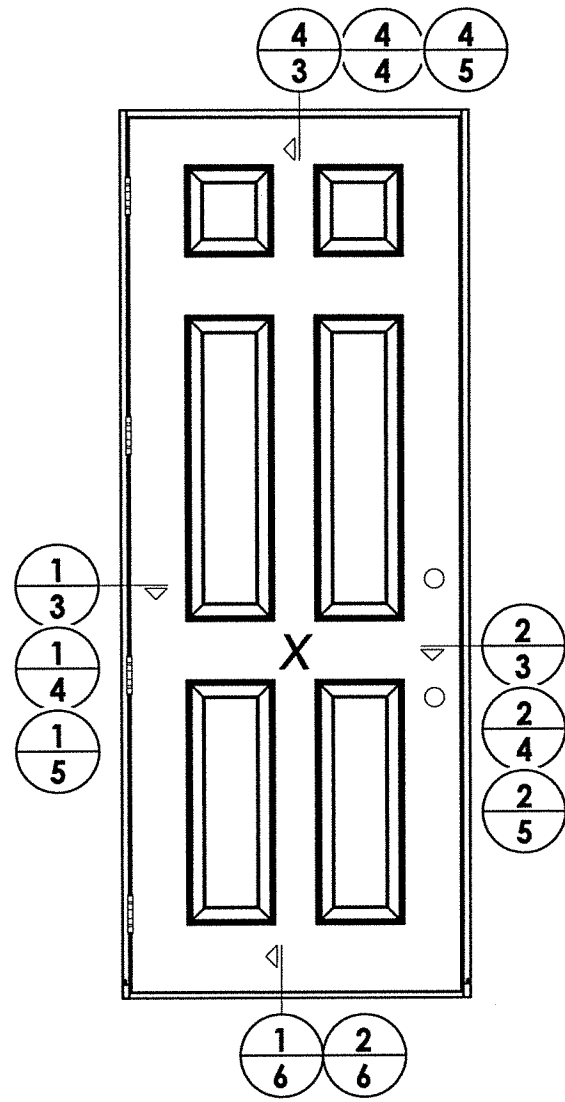


2
2 **VERTICAL CROSS SECTION**

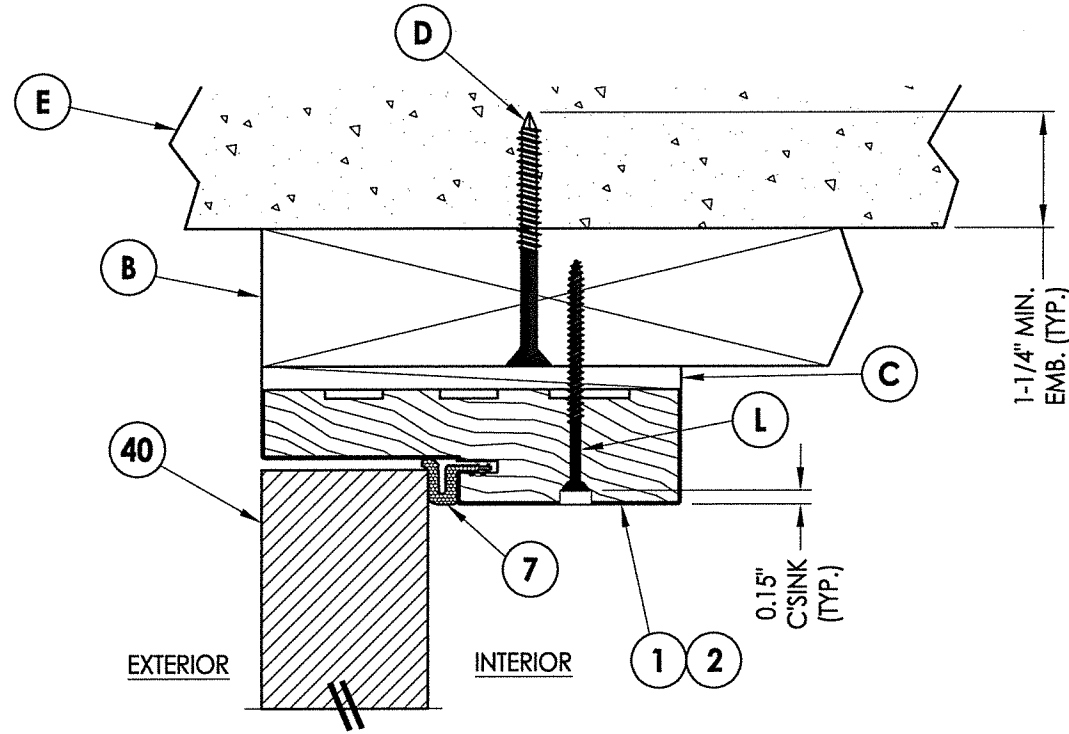
August 16, 2021
 Documents Prepared By:
 Lyndon F. Schmidt
 P.E. No. 43409
 R.W. BUILDING CONSULTANTS, INC.
 P.O. Box 230, Valrico, FL 33595
 Phone No.: 813.659.9197
 FBPE Registry No. 9813

L. F. SCHMIDT
 LICENSE
 No. 43409
 STATE OF FLORIDA
 PROFESSIONAL ENGINEER

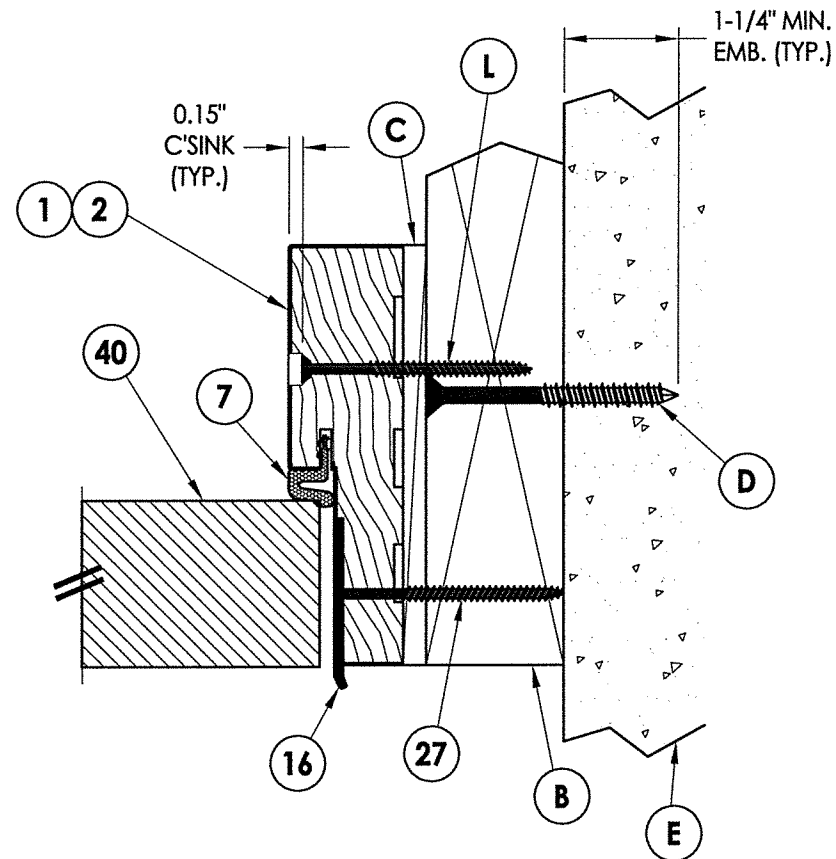
PRODUCT:	TRINITY GLASS INT'L	
PART OR ASSEMBLY:	DOOR PANEL DETAILS	
NO.	DATE	BY
REVISIONS		
DATE:	8/13/21	
SCALE:	N.T.S.	
DWG. BY:	RW	
CHK. BY:	LFS	
DRAWING NO.:	FL-25575.19	
SHEET	2	OF 9



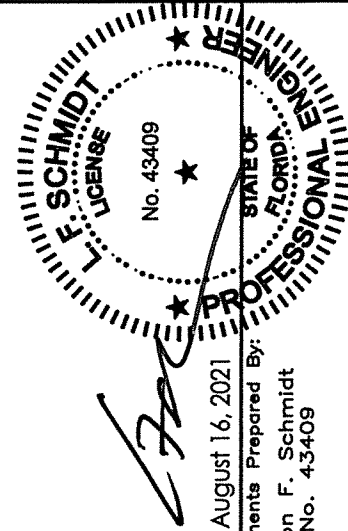
1 HORIZONTAL CROSS SECTION
3 Outswing shown - Inswing also approved



3 VERTICAL CROSS SECTION
3 Outswing shown - Inswing also approved



2 HORIZONTAL CROSS SECTION
3 Outswing shown - Inswing also approved



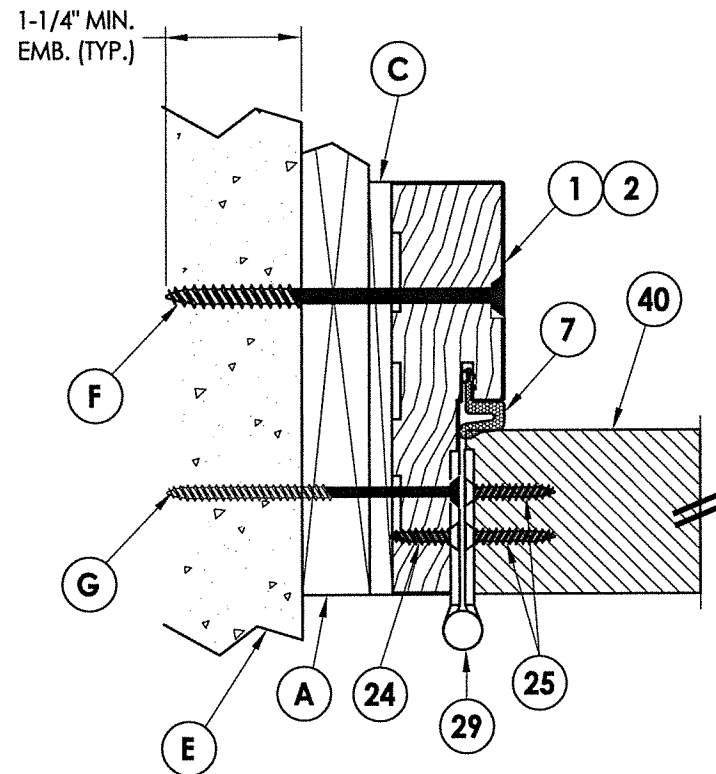
Documents Prepared By:
 Lyndon F. Schmidt
 P.E. No. 43409

RW BUILDING CONSULTANTS, INC.
 P.O. Box 230, Valrico, FL 33595
 Phone No.: 813.659.9197
 FBPE Registry No. 9813

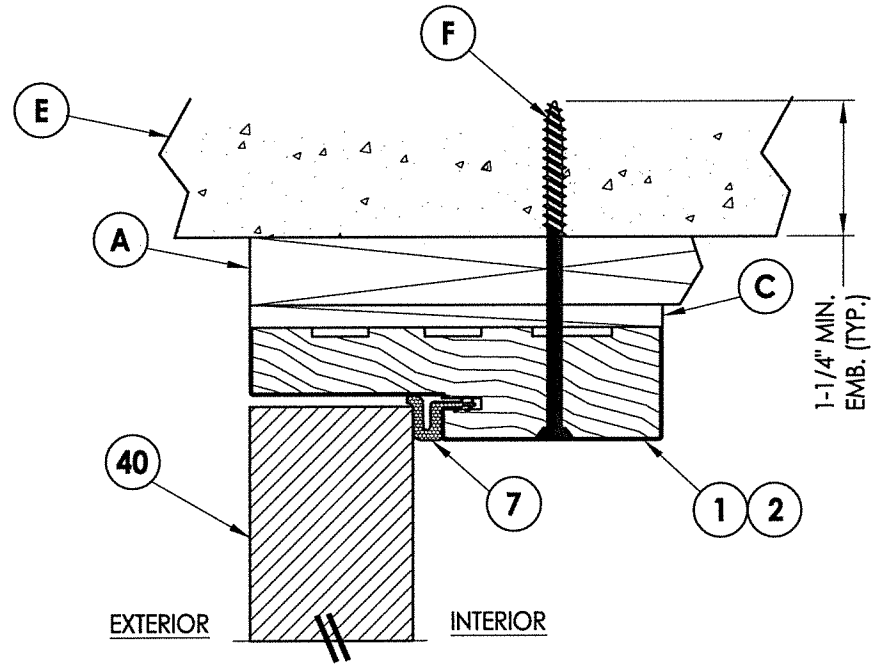
PRODUCT: TRINITY GLASS INT'L
 PART OR ASSEMBLY:
 HORIZONTAL & VERTICAL
 CROSS SECTIONS (2X BUCK)

NO.	DATE	BY

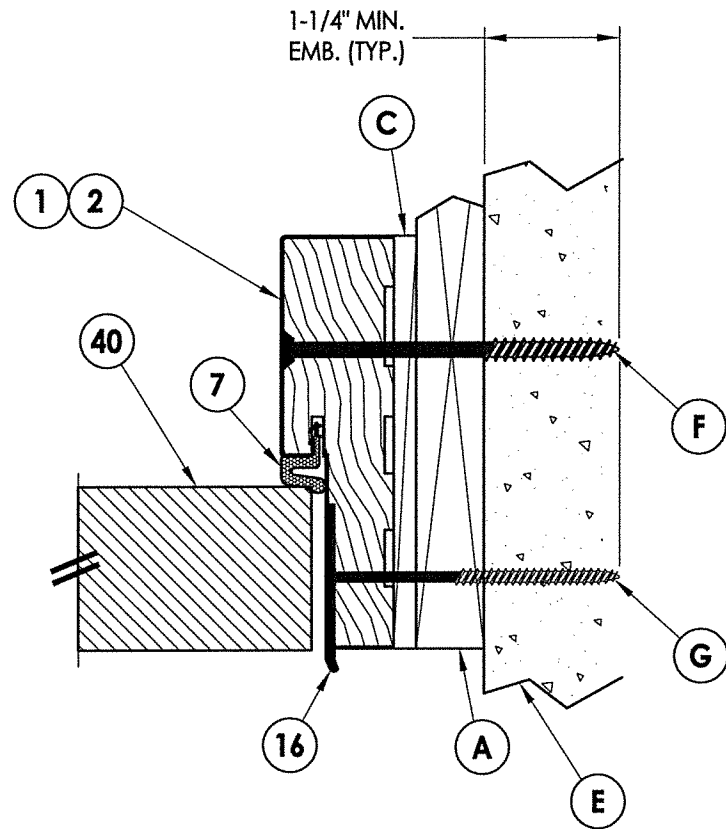
DATE: 8/13/21
 SCALE: N.T.S.
 DWG. BY: RW
 CHK. BY: LFS
 DRAWING NO.: FL-25575.19
 SHEET 3 OF 9



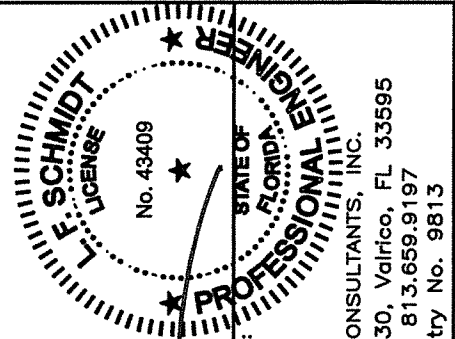
1 HORIZONTAL CROSS SECTION
 4 Outswing shown - Inswing also approved



3 VERTICAL CROSS SECTION
 4 Outswing shown - Inswing also approved

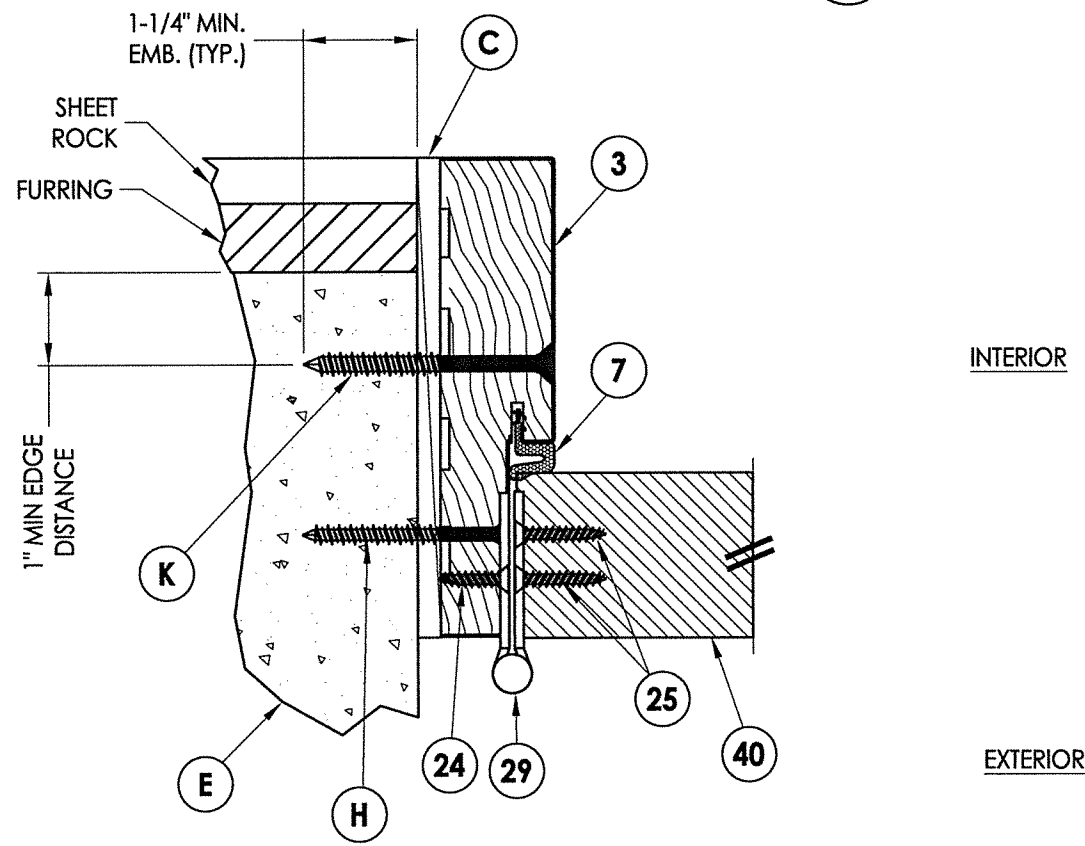


2 HORIZONTAL CROSS SECTION
 4 Outswing shown - Inswing also approved

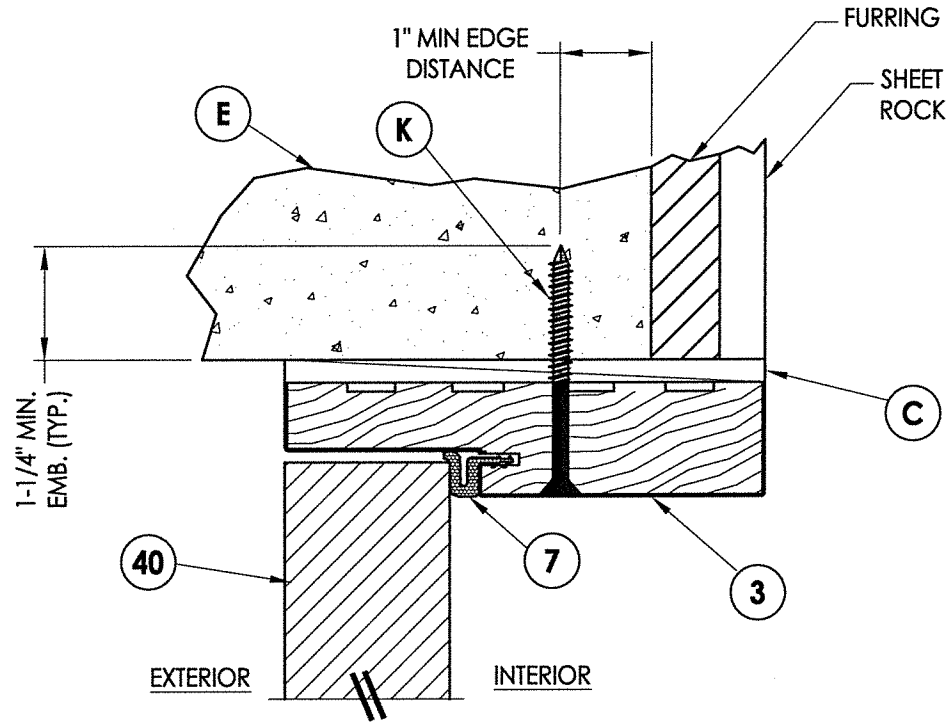


August 16, 2021
 Documents Prepared By:
 Lyndon F. Schmidt
 P.E. No. 43409
 R.W.
 BUILDING CONSULTANTS, INC.
 P.O. Box 230, Valrico, FL 33595
 Phone No.: 813.659.9197
 FBPE Registry No. 9813

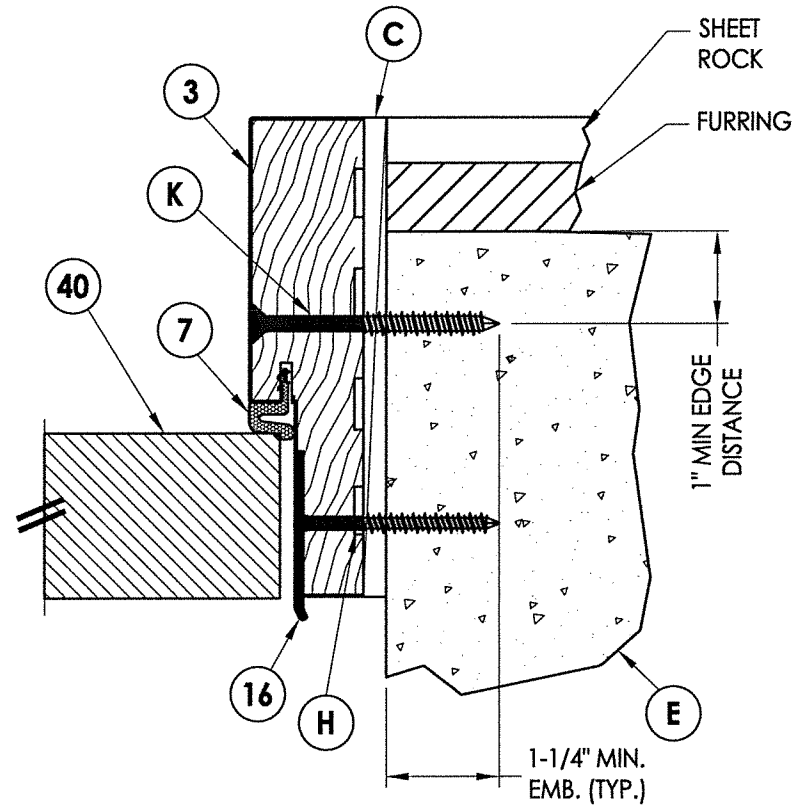
PRODUCT: TRINITY GLASS INT'L	
PART OR ASSEMBLY: HORIZONTAL & VERTICAL CROSS SECTIONS (1X BUCK)	
NO.	DATE
REVISIONS	
BY	
DATE: 8/13/21	
SCALE: N.T.S.	
DWG. BY: RW	
CHK. BY: LFS	
DRAWING NO.: FL-25575.19	
SHEET 4 OF 9	



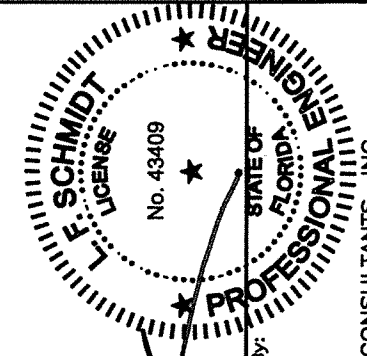
1 HORIZONTAL CROSS SECTION
5 Outswing only



3 VERTICAL CROSS SECTION
5 Outswing only



2 HORIZONTAL CROSS SECTION
5 Outswing only

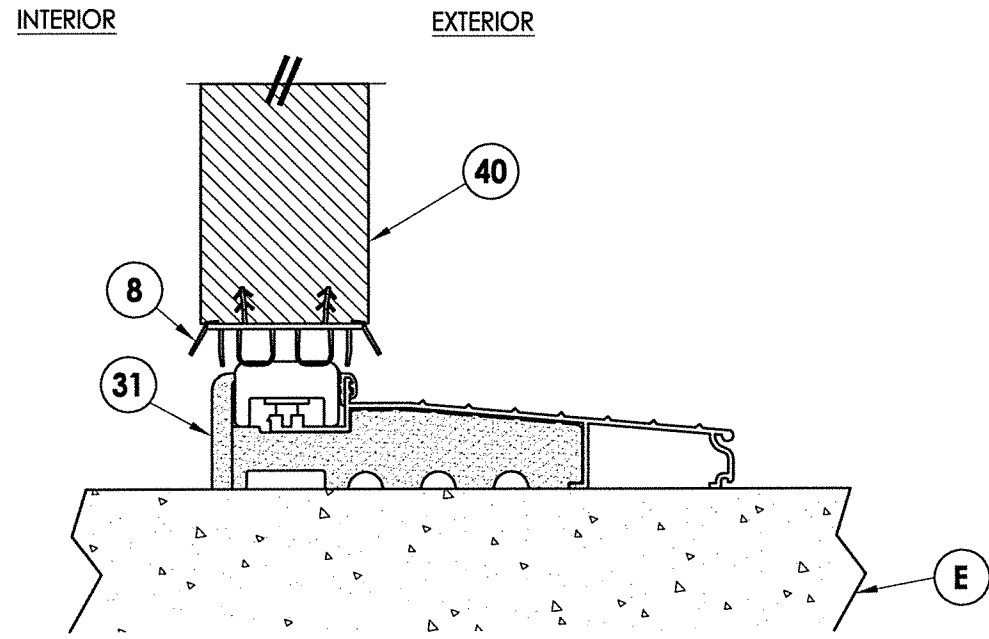


Lyndon F. Schmidt

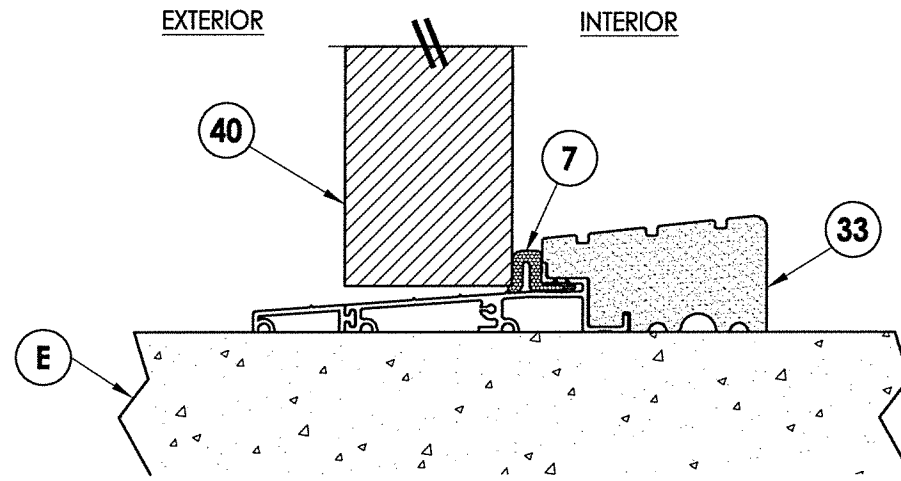
August 16, 2021
Documents Prepared By:
Lyndon F. Schmidt
P.E. No. 43409

BUILDING CONSULTANTS, INC.
P.O. Box 230, Valrico, FL 33595
Phone No.: 813.659.9197
FBPE Registry No. 9813

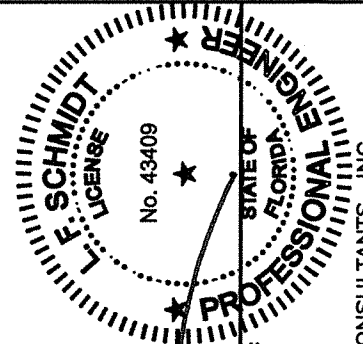
PRODUCT:	TRINITY GLASS INT'L	
PART OR ASSEMBLY:	HORIZONTAL & VERTICAL CROSS SECTIONS (DIRECT TO MASONRY)	
NO.	DATE	BY
REVISIONS		
DATE:	8/13/21	
SCALE:	N.T.S.	
DWG. BY:	RW	
CHK. BY:	LFS	
DRAWING NO.:	FL-25575.19	
SHEET	5	of 9



1 VERTICAL CROSS SECTION
6 Inswing sill



2 VERTICAL CROSS SECTION
6 Outswing sill

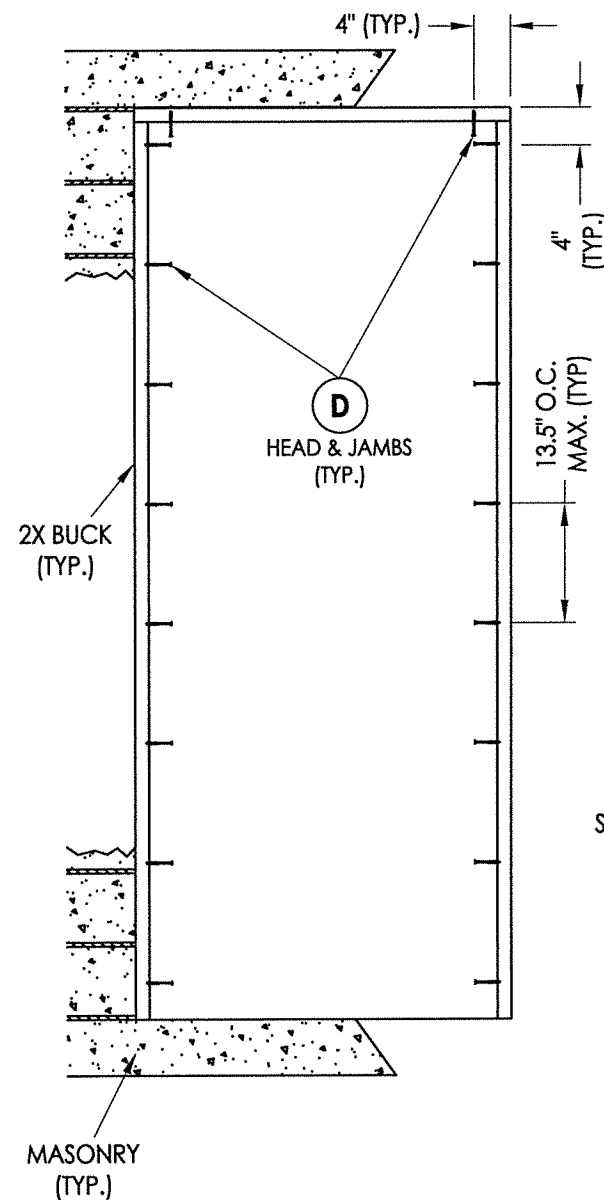


August 16, 2021
 Documents Prepared By:
 Lyndon F. Schmidt
 P.E. No. 43409

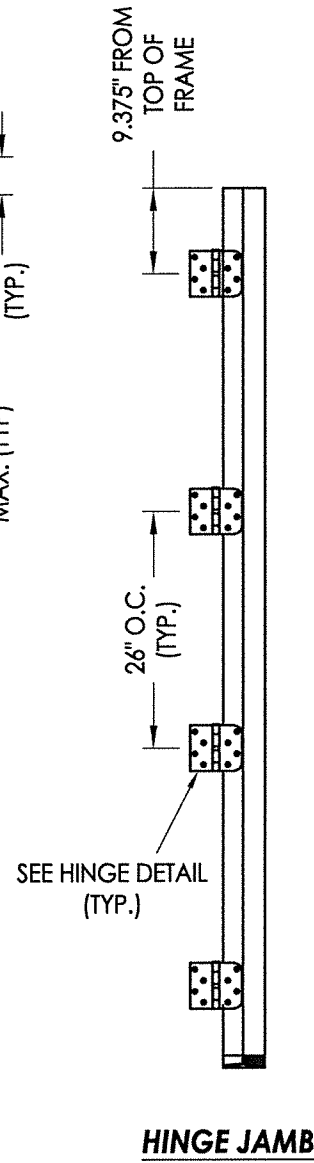
RW
 BUILDING CONSULTANTS, INC.
 P.O. Box 230, Valrico, FL 33595
 Phone No.: 813.659.9197
 FBPE Registry No. 9813

PRODUCT:	TRINITY GLASS INT'L	
PART OR ASSEMBLY:	VERTICAL CROSS SECTIONS	
NO.	DATE	BY
REVISIONS		
DATE:	8/13/21	
SCALE:	N.T.S.	
DWG. BY:	RW	
CHK. BY:	LFS	
DRAWING NO.:	FL-25575.19	
SHEET	6	OF 9

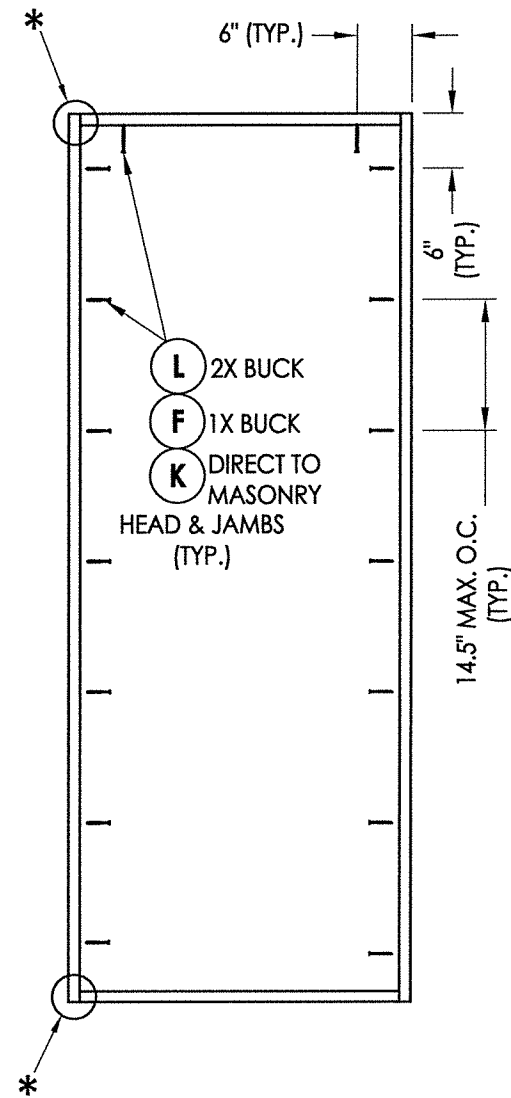
*NOTE: FRAME CORNERS ATTACHED w/ #8 X 2" COURSE THREAD DRYWALL SCREWS: (3) @ HEAD, (3) @ INSWING SILL & (2) @ OUTSWING SILL (TYP.).



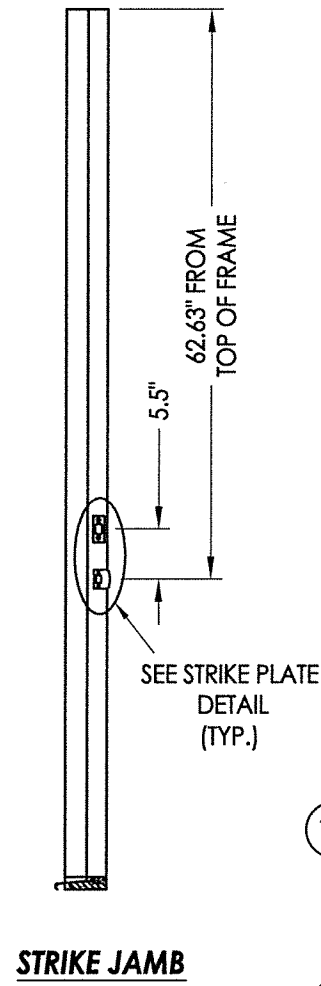
2X BUCK ANCHORING



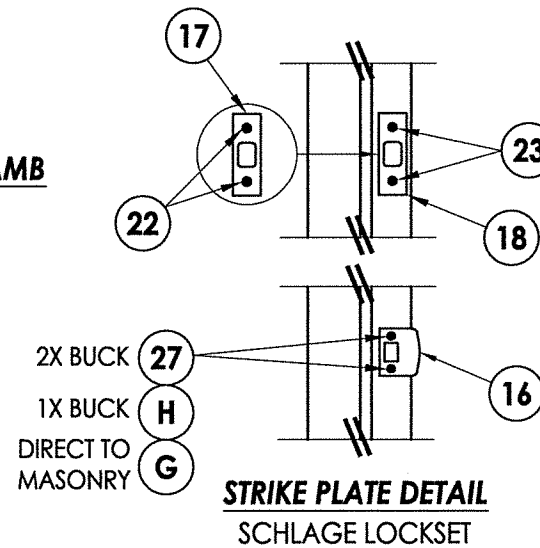
HINGE JAMB



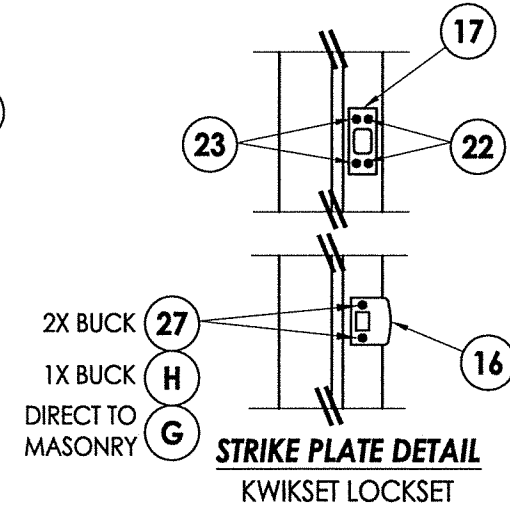
FRAME ANCHORING



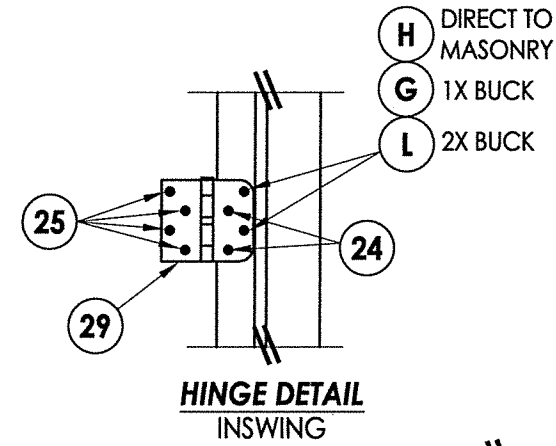
STRIKE JAMB



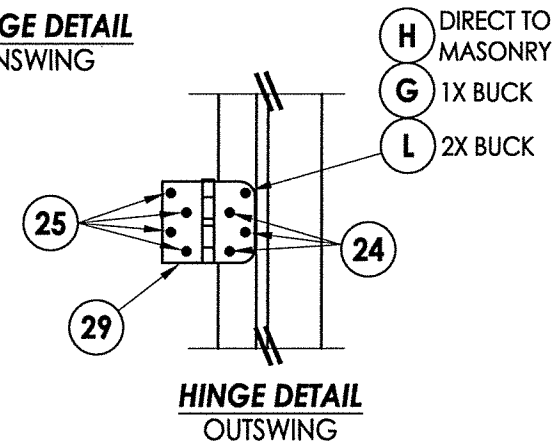
**STRIKE PLATE DETAIL
SCHLAGE LOCKSET**



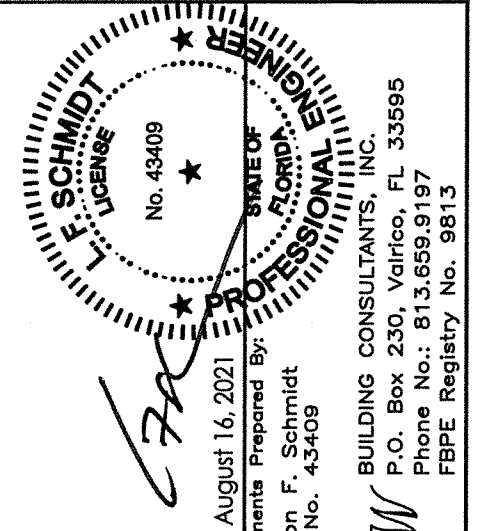
**STRIKE PLATE DETAIL
KWIKSET LOCKSET**



**HINGE DETAIL
INSWING**



**HINGE DETAIL
OUTSWING**

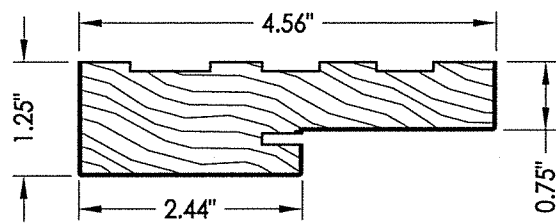


August 16, 2021
Documents Prepared By:
Lyndon F. Schmidt
P.E. No. 43409

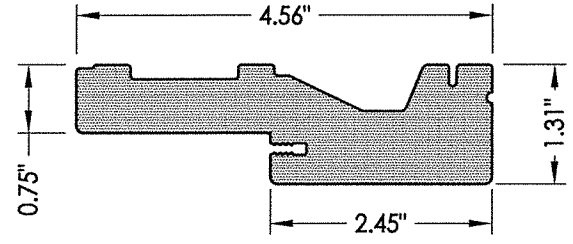
R.W.
BUILDING CONSULTANTS, INC.
P.O. Box 230, Valrico, FL 33595
Phone No.: 813.659.9197
FBPE Registry No. 9813

PRODUCT:	TRINITY GLASS INT'L	
PART OR ASSEMBLY:	BUCK & FRAME ANCHORING	
NO.	DATE	BY
REVISIONS		
DATE:	8/13/21	
SCALE:	N.T.S.	
DWG. BY:	RW	
CHK. BY:	LFS	
DRAWING NO.:	FL-25575.19	
SHEET	7 OF 9	

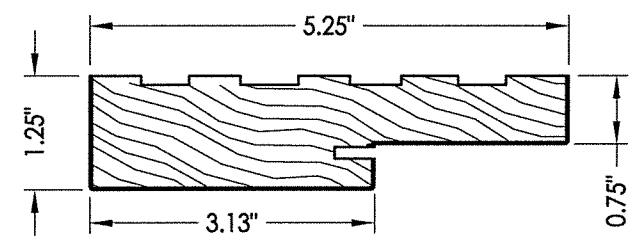
Z:\Clients\Trinity Glass PERMANENTVA - Florida Product Approvals\FL - 25575\C. Drawings\FL 25575 (2020)\FL-25575.19.dwg



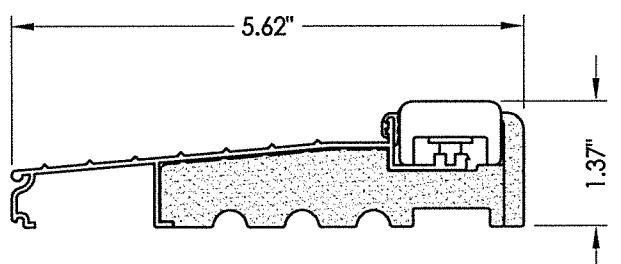
1 HEAD & JAMBS
FINGER JOINT PINE



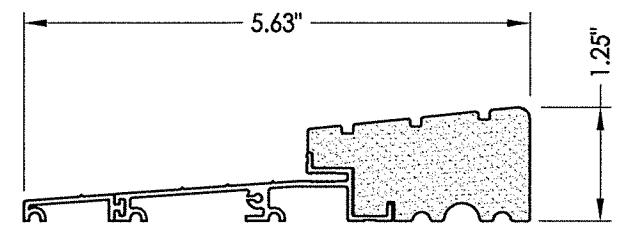
2 HEAD & JAMBS
PVC



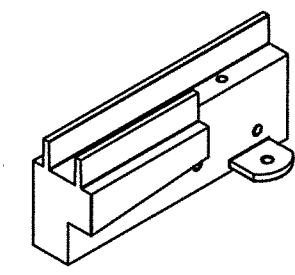
3 HEAD & JAMBS
FINGER JOINT PINE



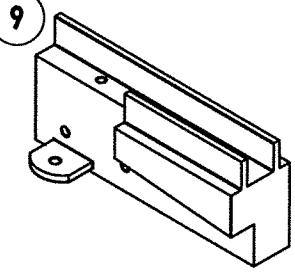
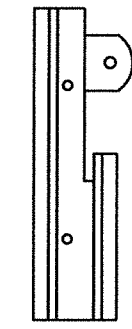
31 INSWING THRESHOLD



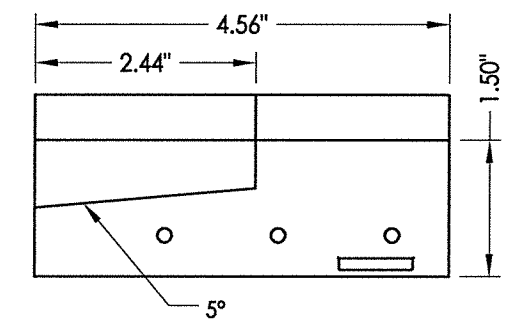
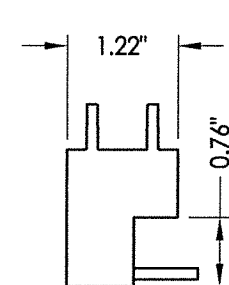
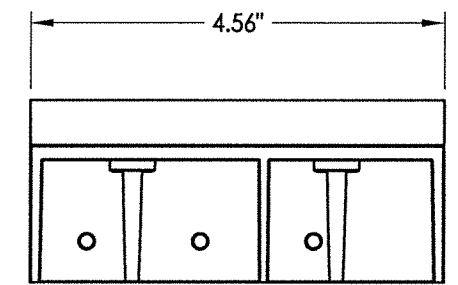
33 OUTSWING THRESHOLD
w/ sill extension



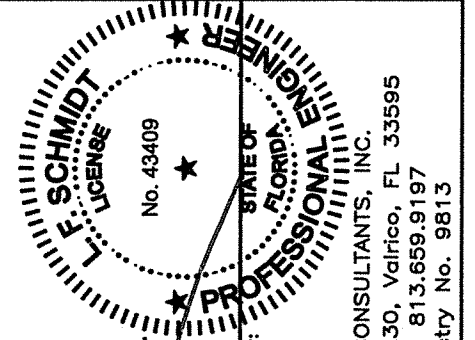
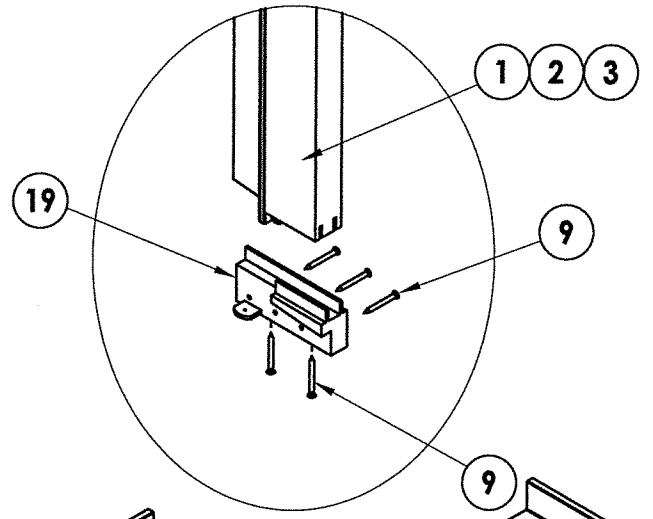
SILLKEY (LEFT)



SILLKEY (RIGHT)



19 SILLKEY DETAILS
Optional

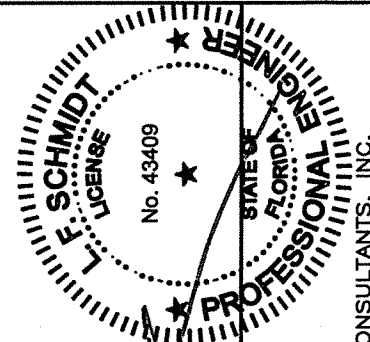


August 16, 2021
 Documents Prepared By:
 Lyndon F. Schmidt
 P.E. No. 43409

RW BUILDING CONSULTANTS, INC.
 P.O. Box 230, Valrico, FL 33595
 Phone No.: 813.659.9197
 FBPE Registry No. 9813

PRODUCT:			TRINITY GLASS INT'L		
PART OR ASSEMBLY:			COMPONENTS		
NO.	DATE	BY	NO.	DATE	BY
REVISIONS					
DATE:			8/13/21		
SCALE:			N.T.S.		
DWG. BY:			RW		
CHK. BY:			LFS		
DRAWING NO.:			FL-25575.19		
SHEET			8 OF 9		

BILL OF MATERIALS		
ITEM #	DESCRIPTION	MATERIAL
A	1X BUCK (SG >= 0.42)	WOOD
B	2X BUCK (SG >= 0.42)	WOOD
C	1/4" MAX. SHIM SPACE	-
D	1/4" X 2-3/4" PFH DeWALT OR ITW CONCRETE SCREW	STEEL
E	MASONRY - 3,000 PSI MIN. CONCRETE CONFORMING TO ACI 301 OR HOLLOW BLOCK CONFORMING TO ASTM C90	CONCRETE
F	1/4" X 3-3/4" PFH ITW CONCRETE SCREW	STEEL
G	3/16" X 3-1/4" PFH ITW CONCRETE SCREW	STEEL
H	3/16" X 2-1/4" PFH ITW CONCRETE SCREW	STEEL
K	1/4" X 2-3/4" PFH DeWALT CONCRETE SCREW	STEEL
L	#10 X 2-1/2" PFH WS (1.15" MIN. EMBEDMENT)	STEEL
1	HEAD & JAMB (FINGER JOINT PINE: SG >= 0.42)	WOOD
2	HEAD & JAMB	PVC
3	HEAD & JAMB (5.25") (FINGER JOINT PINE: SG >= 0.42)	WOOD
7	WEATHERSTRIP	FOAM
8	DOOR BOTTOM SWEEP	PVC
16	LATCH STRIKE PLATE	STEEL
17	DEADBOLT STRIKE PLATE	STEEL
18	DEADBOLT SUB-STRIKE PLATE	STEEL
19	SILLKEY	ABS
22	#8 X 1/2" PFH WOOD SCREW	STEEL
23	#12 X 2-1/2" PFH WOOD SCREW	STEEL
24	#9 X 3/4" PFH WS	STEEL
25	#9 X 1" PFH WS	STEEL
27	#8 X 2-1/2" PFH WOOD SCREW	STEEL
29	4" X 4" HINGE	STEEL
31	INSWING THRESHOLD ALUMINUM w/ COMPOSITE SUBSTRATE	ALUM/ COMP
33	OUTSWING HIGH - DAM THRESHOLD ALUMINUM w/ COMPOSITE SUBSTRATE	ALUM/ COMP
40	DOOR PANEL	-



August 16, 2021
 Documents Prepared By:
 Lyndon F. Schmidt
 P.E. No. 43409

R.W.
 BUILDING CONSULTANTS, INC.
 P.O. Box 230, Valrico, FL 33595
 Phone No.: 813.659.9197
 FBPE Registry No. 9813

PRODUCT:	TRINITY GLASS INT'L
PART OR ASSEMBLY:	BILL OF MATERIALS
NO.	DATE
BY	
REVISIONS	
DATE:	8/13/21
SCALE:	N.T.S.
DWG. BY:	RW
CHK. BY:	LFS
DRAWING NO.:	FL-25575.19
SHEET	9 of 9

CONCRETE ANCHOR NOTES:

- Concrete anchor locations at the corners may be adjusted to maintain the min. edge distance to mortar joints.
- Concrete anchor locations noted as "MAX. ON CENTER" must be adjusted to maintain the min. edge distance to mortar joints, additional concrete anchors may be required to ensure the "MAX. ON CENTER" dimension are not exceeded.
- Concrete anchor table:

ANCHOR TYPE	ANCHOR SIZE	MIN. EMBEDMENT	MIN. CLEARANCE TO MASONRY EDGE	MIN. CLEARANCE TO ADJACENT ANCHOR
ITW BUILDEX TAPCON®	3/16" 1/4"	1-1/4" 1-1/4"	AS SHOWN 2"	1-1/2" 4"
DeWALT® ULTRACON+	1/4"	1-1/4"	1"	4"

WOOD SCREW INSTALLATION NOTES:

- Maintain a minimum 5/8" edge distance, 1" end distance, & 1" o.c. spacing of wood screws to prevent the splitting of wood.